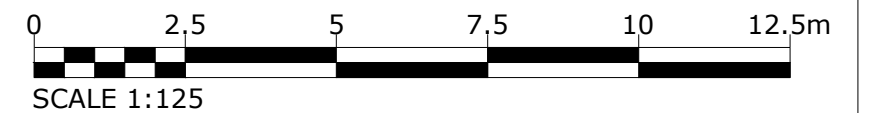
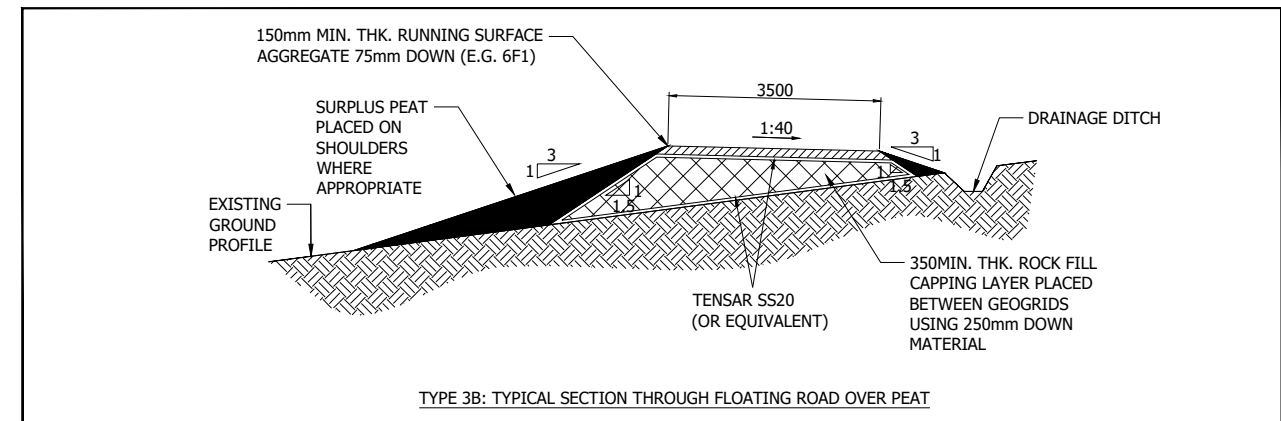
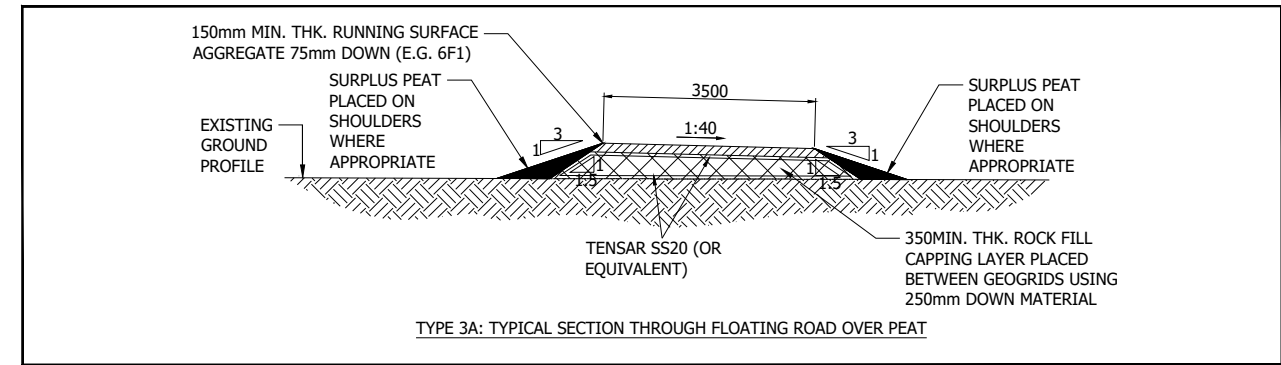
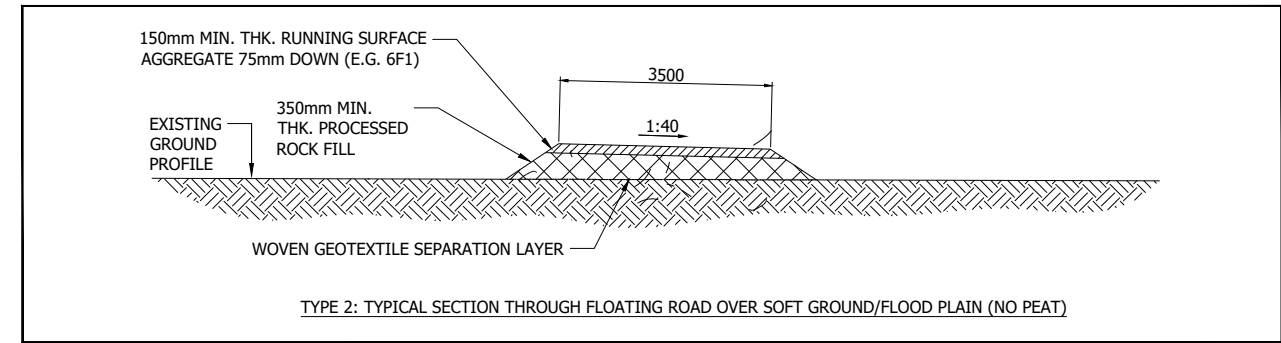
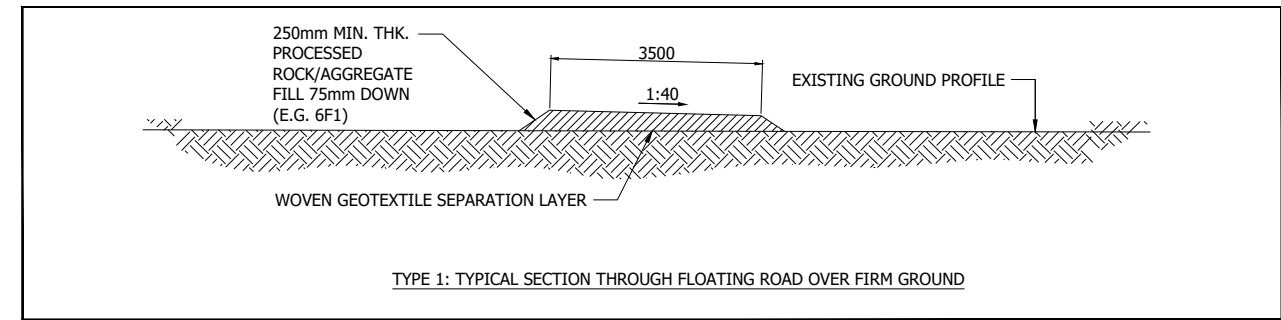
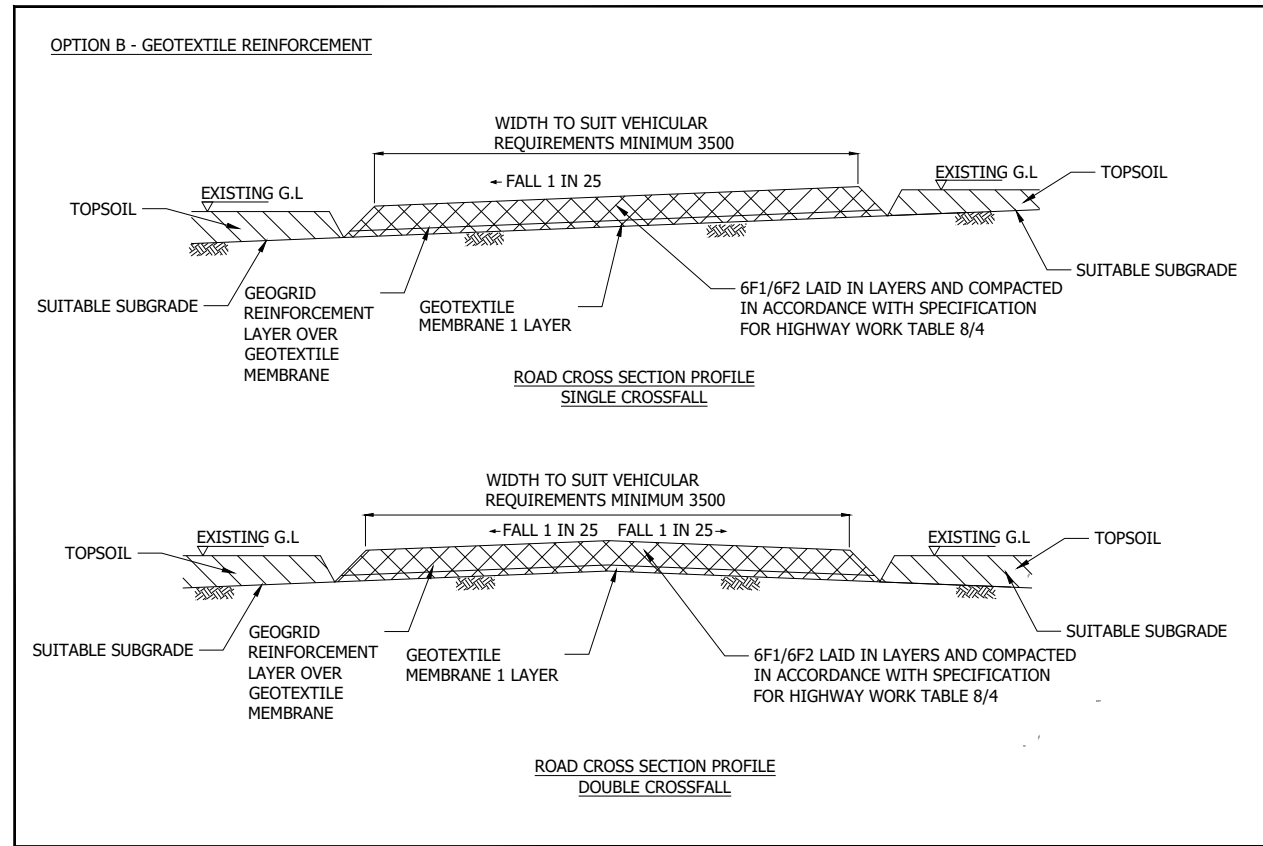
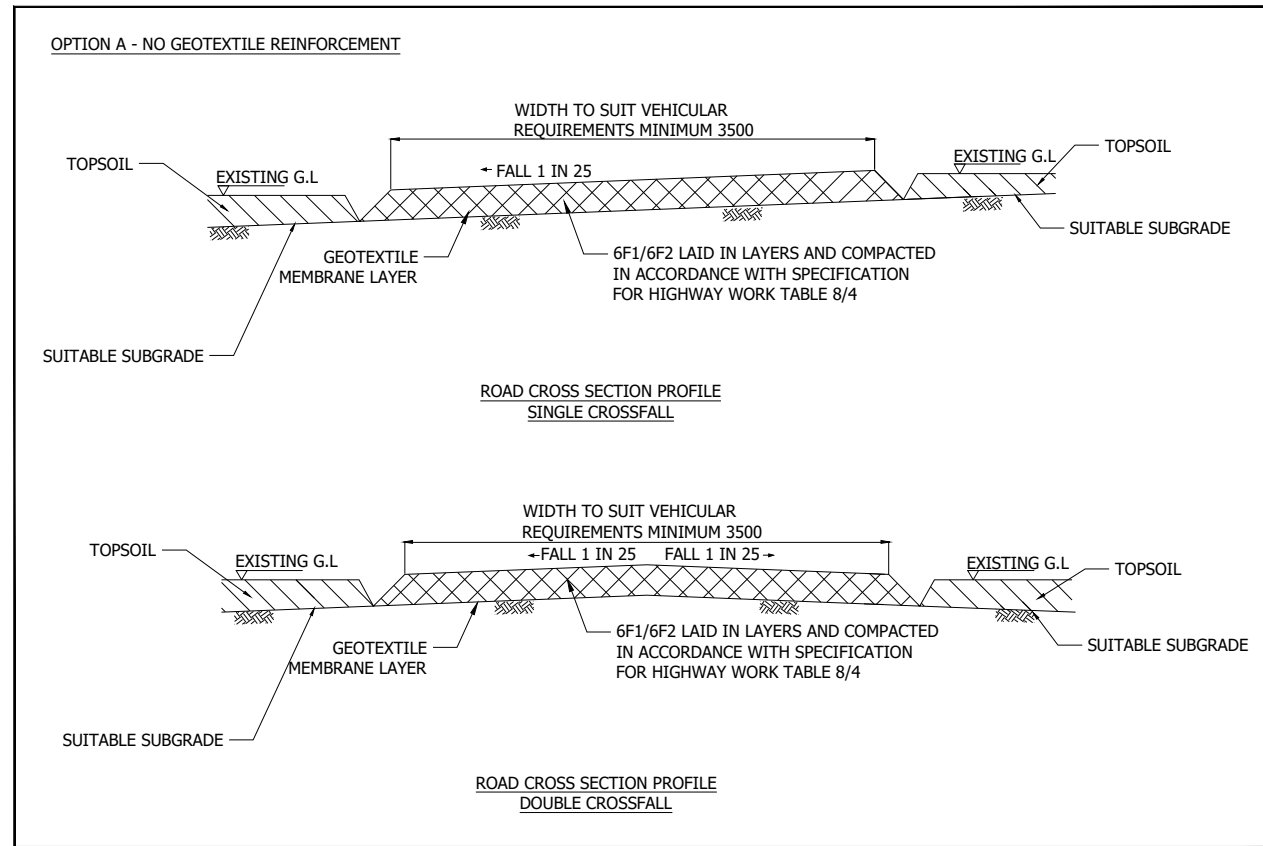


Plot Date : 02 August 2022 09:55:44
File Name : Y:\CAD\4534 ARGYLL SUBSTATIONS\01-WORKING\01_01-DRAWINGS\4534A-AN SUIDHE ENERGY CONSENTS UNIT APPLICATION\4534A-DR-P-0007-P1 - ACCESS TRACK SHEET 1



Project Title	AN SUIDHE SUBSTATION
Client	Scottish & Southern Electricity Networks TRANSMISSION

Drawing Title	PLANNING FIGURE 004a TYPICAL ACCESS TRACK SECTIONS - SHEET 1
---------------	--

Purpose of issue			
PLANNING			
Designed	Drawn	Checked	Approved
-	SR	RC	DB
Arcus Internal Project No.		Date	
4534		01/08/22	
Scale @ A3			
1:125			

THIS DOCUMENT HAS BEEN PREPARED IN ACCORDANCE WITH THE SCOPE OF ARCUS' APPOINTMENT WITH ITS CLIENT AND IS SUBJECT TO THE TERMS OF THAT APPOINTMENT. ARCUS ACCEPTS NO LIABILITY FOR ANY USE OF THIS DOCUMENT OTHER THAN BY ITS CLIENT AND ONLY FOR THE PURPOSES FOR WHICH IT WAS PREPARED AND PROVIDED	
Drawing Number	Rev
4534a-DR-P-0007	1

Arcus Consultancy Services
7th Floor
144 West George Street
Glasgow, G2 2HG
Tel: +44 (0)141 221 9997
Fax: +44 (0)141 221 5610
www.arcusconsulting.co.uk