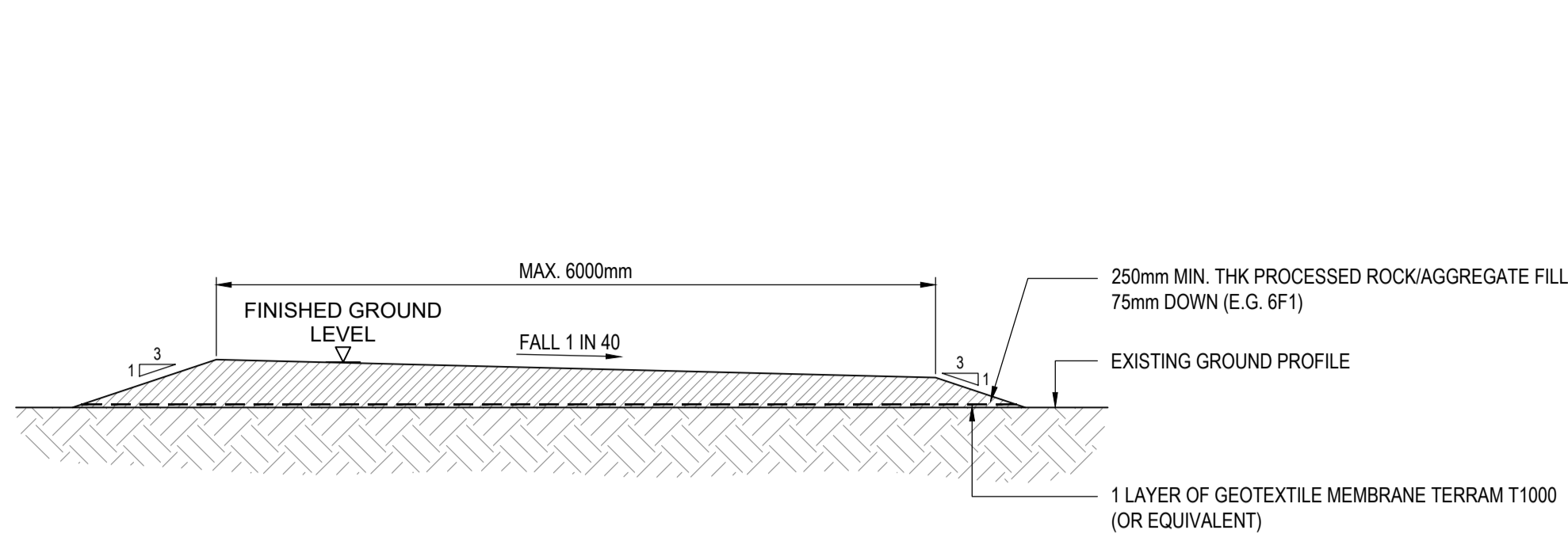
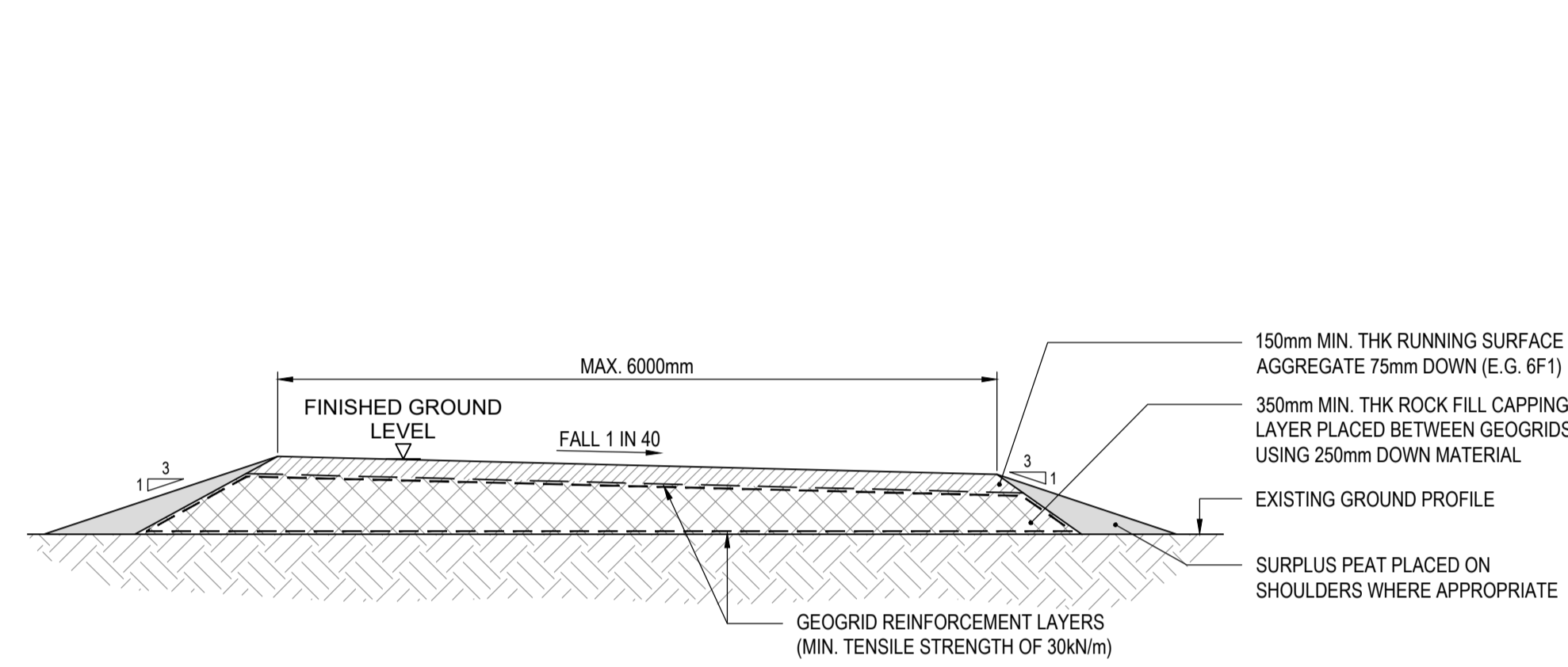


APPENDIX 3.2 - ACCESS TRACK SCHEMATIC



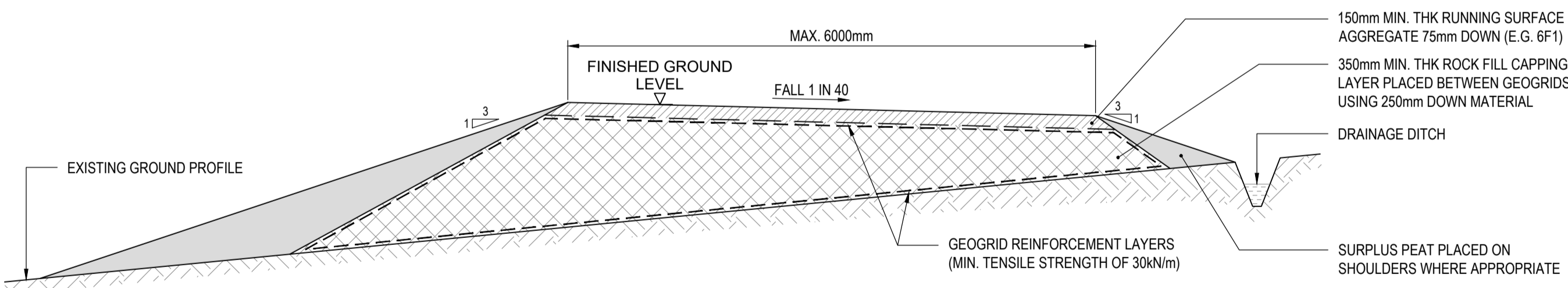
TYPE 1: TYPICAL SECTION THROUGH ROAD OVER FIRM GROUND

NTS



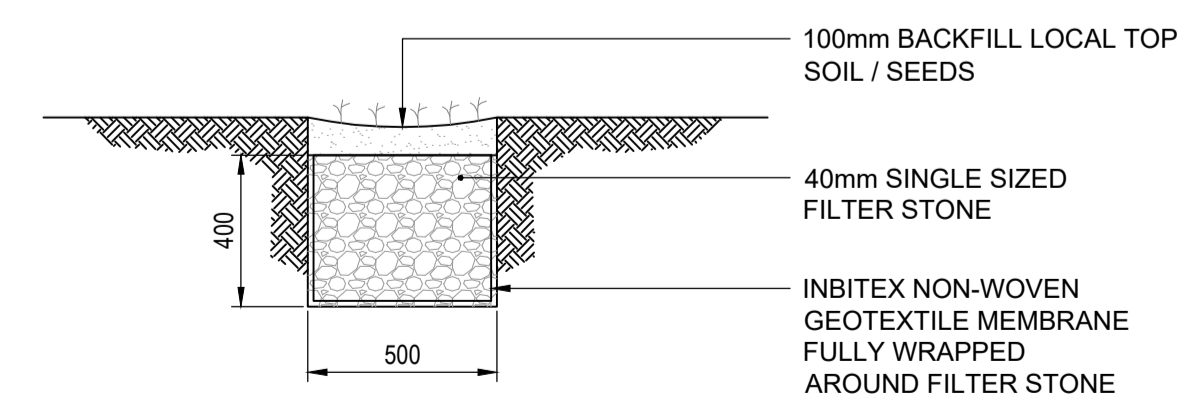
TYPE 2: TYPICAL SECTION THROUGH FLOATING ROAD OVER PEAT/WETLAND

NTS



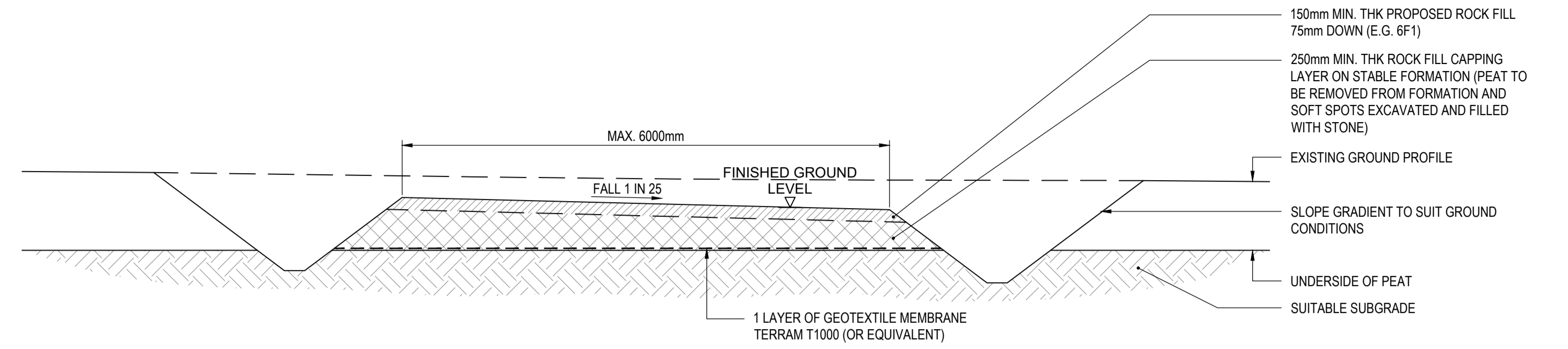
TYPE 3: TYPICAL SECTION THROUGH FLOATING ROAD OVER PEAT/WETLAND

NTS



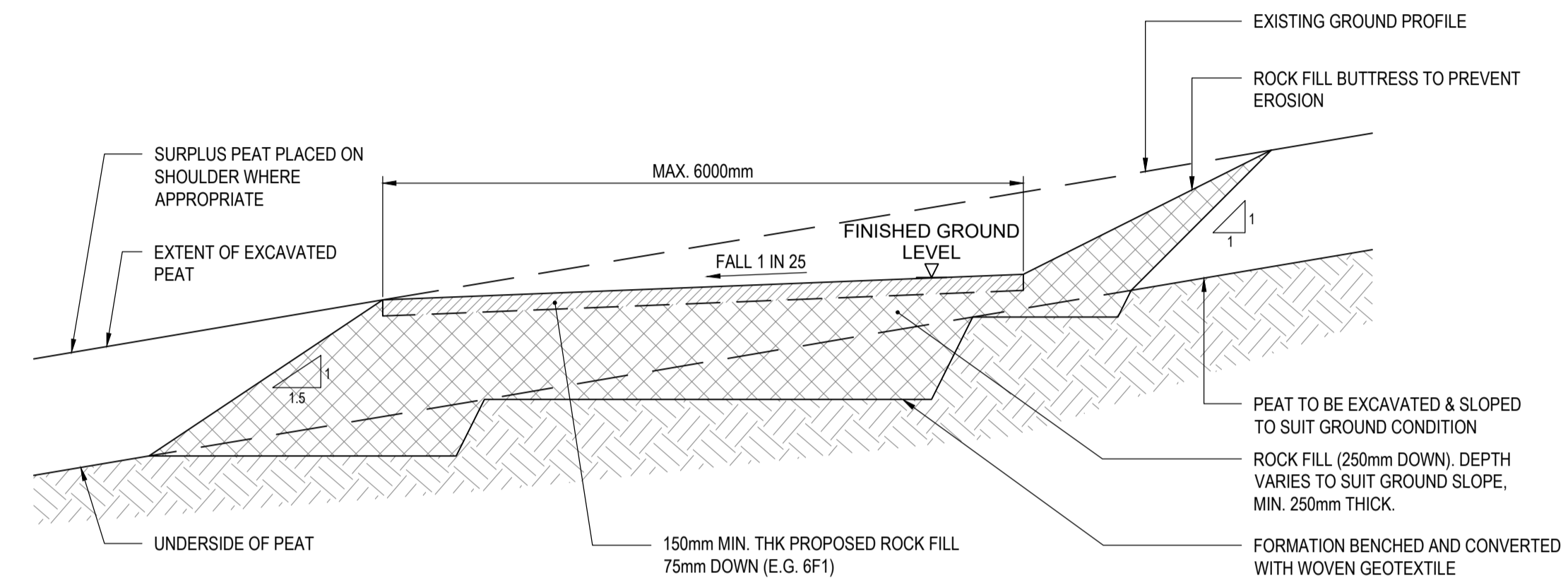
SECTION THROUGH FRENCH DRAIN

NTS



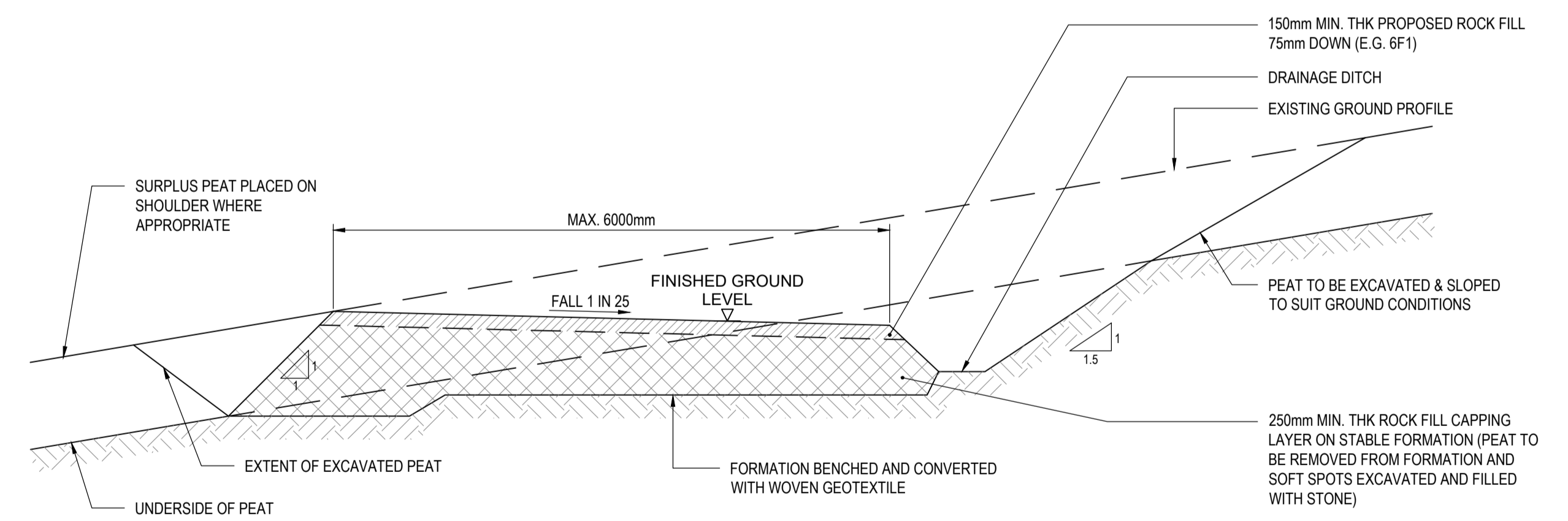
TYPE 4: TYPICAL SECTION THROUGH ROAD CONSTRUCTED ON SUBGRADE BELOW PEAT

NTS



TYPE 5: TYPICAL SECTION FOR ROAD ON SIDE SLOPE WITH DEEP / UNSTABLE PEAT

NTS



TYPE 6: TYPICAL SECTION FOR ROAD ON SIDE SLOPE WITH SHALLOW / STABLE PEAT

NTS

NB:
MAKE-UPS ARE INDICATIVE ONLY AND SUBJECT TO DETAILED DESIGN ONCE VEHICLE TYPES ARE FINALISED.