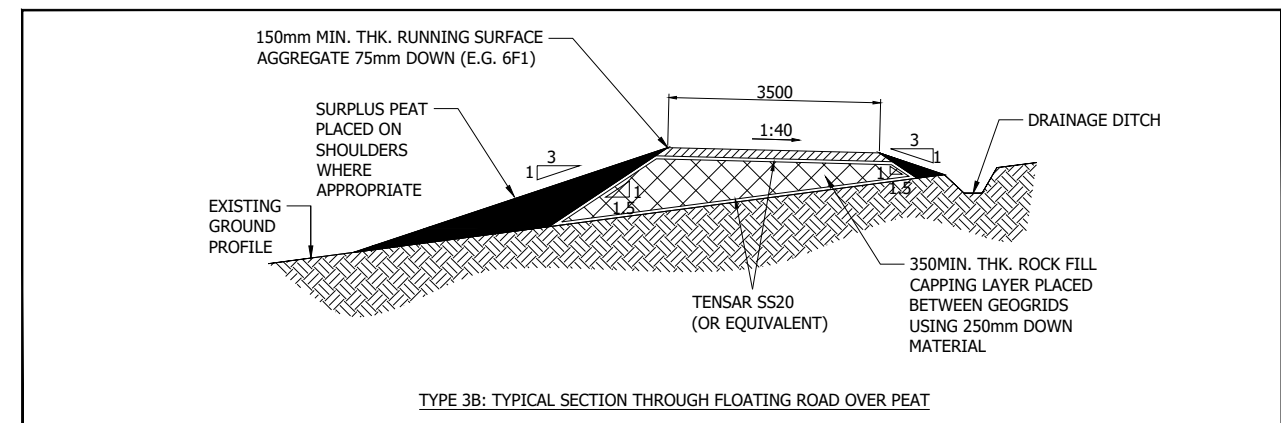
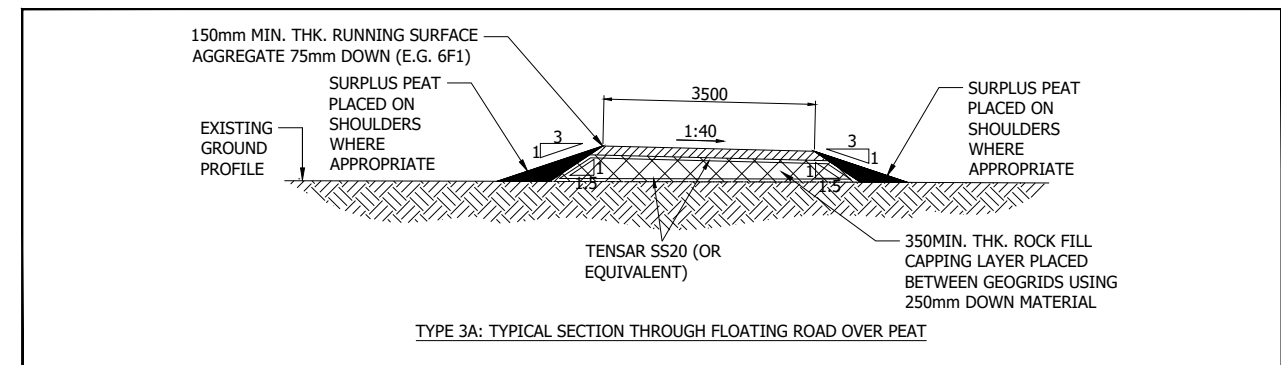
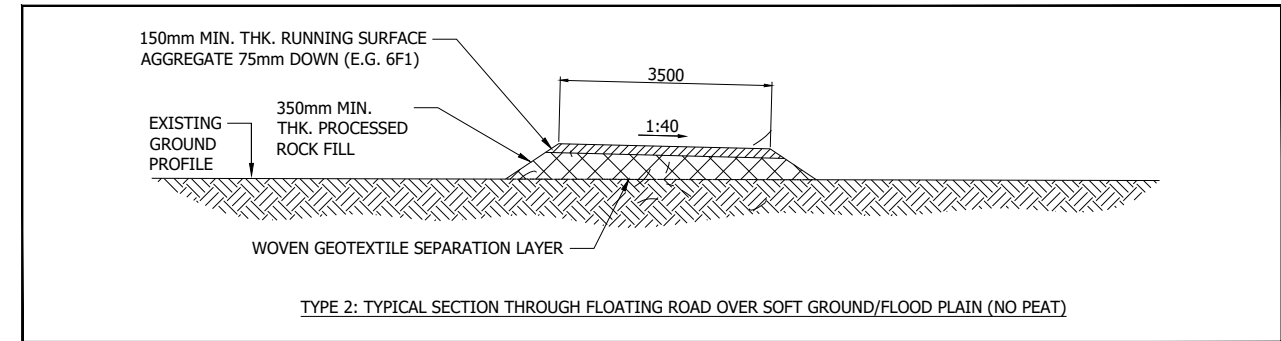
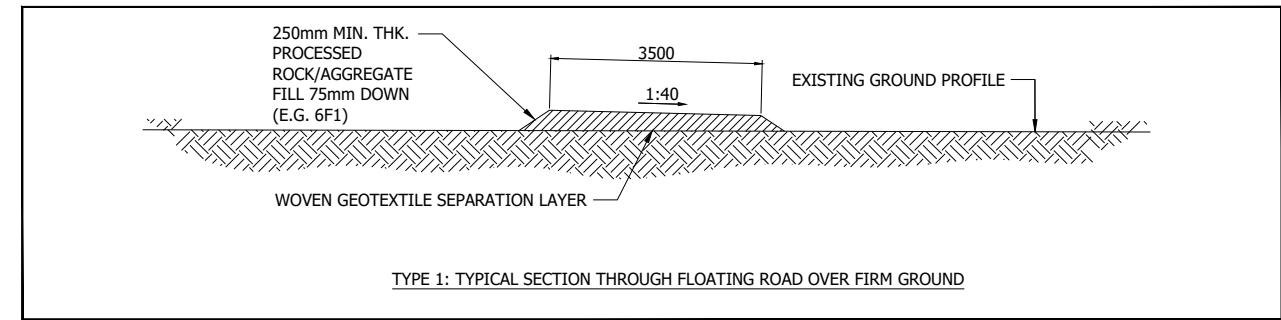
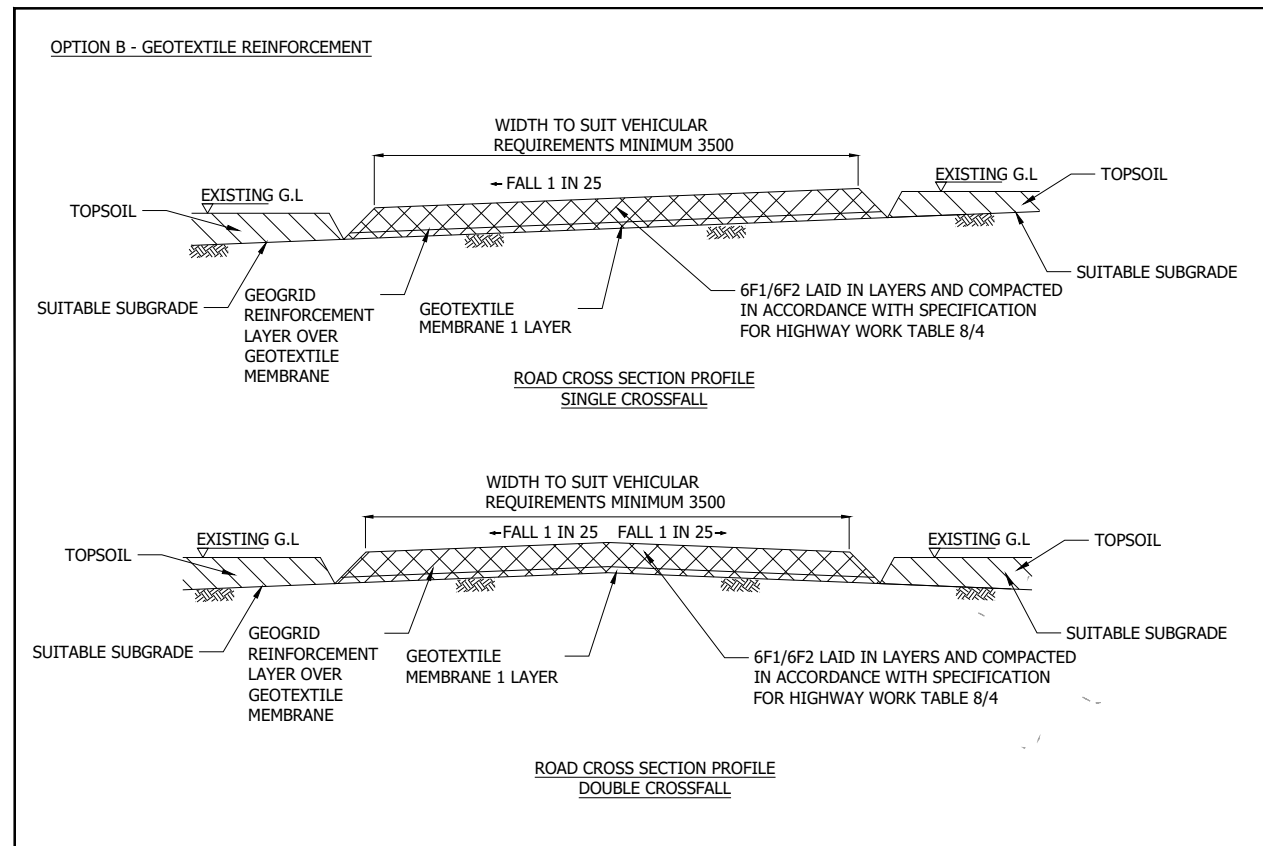
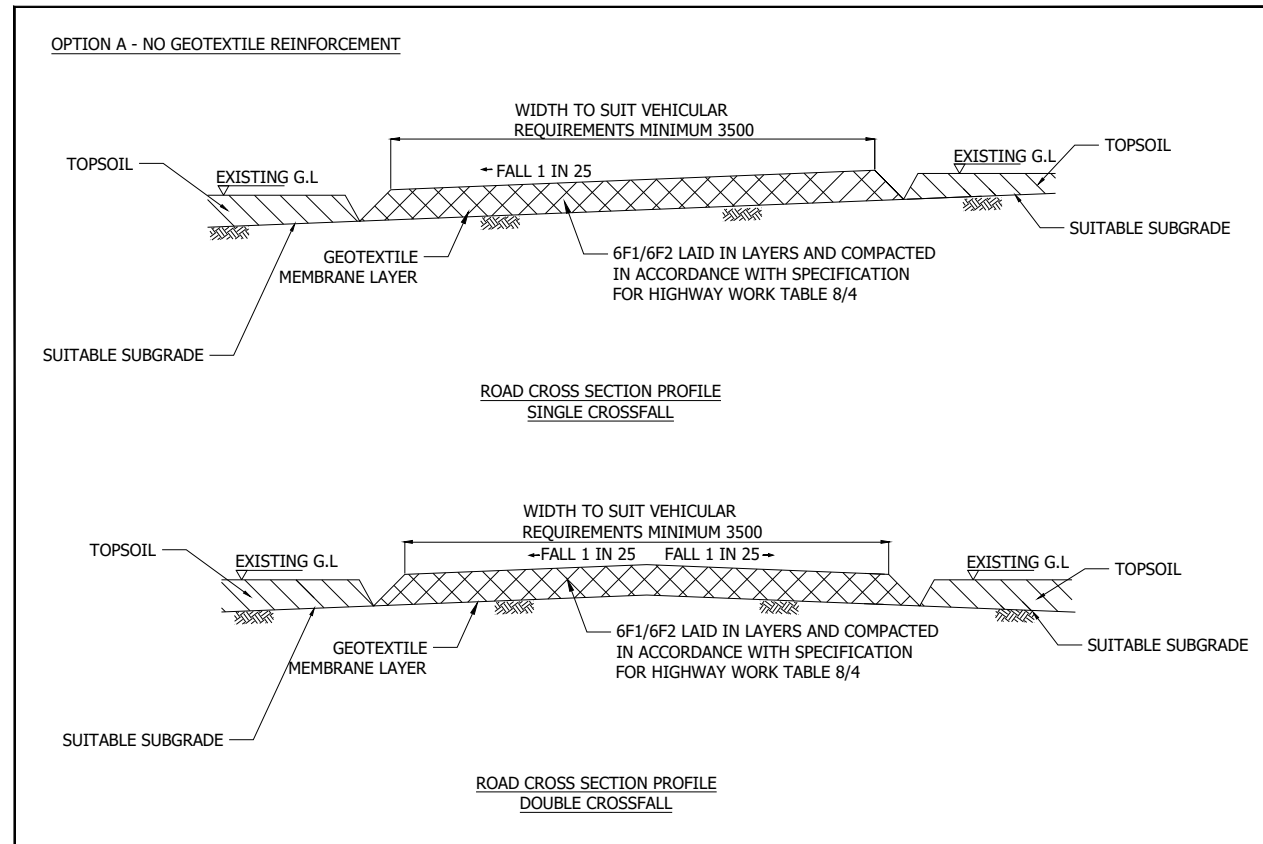


Plot Date : 06 September 2022 13:04:33
File Name : Y:\CAD\4534 ARGYLL SUBSTATIONS\01-WORKING\01_01-DRAWINGS\4534B-DR-P-0007-P2 - ACCESS TRACK SHEET 1



Project Title		Drawing Title	
CRAIG MURRAIL SUBSTATION		PLANNING FIGURE 004a TYPICAL ACCESS TRACK SECTIONS - SHEET 1	
Client		Purpose of issue	
Scottish & Southern Electricity Networks TRANSMISSION		PLANNING	

Designed	Drawn	Checked	Approved
-	RC	RC	DB
Arcus Internal Project No. 4534		Date 02/08/22	
Scale @ A3 NTS			

THIS DOCUMENT HAS BEEN PREPARED IN ACCORDANCE WITH THE SCOPE OF ARCUS' APPOINTMENT WITH ITS CLIENT AND IS SUBJECT TO THE TERMS OF THAT APPOINTMENT. ARCUS ACCEPTS NO LIABILITY FOR ANY USE OF THIS DOCUMENT OTHER THAN BY ITS CLIENT AND ONLY FOR THE PURPOSES FOR WHICH IT WAS PREPARED AND PROVIDED	
Drawing Number 4534b-DR-P-0007	Rev 2

Arcus Consultancy Services
7th Floor
144 West George Street
Glasgow, G2 2HG
Tel: +44 (0)141 221 9997
Fax: +44 (0)141 221 5610
www.arcusconsulting.co.uk