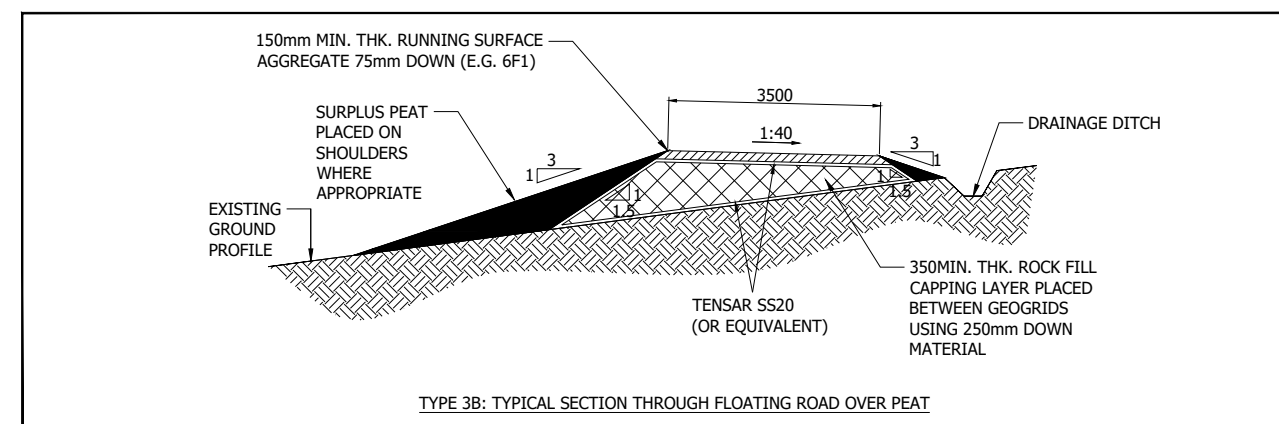
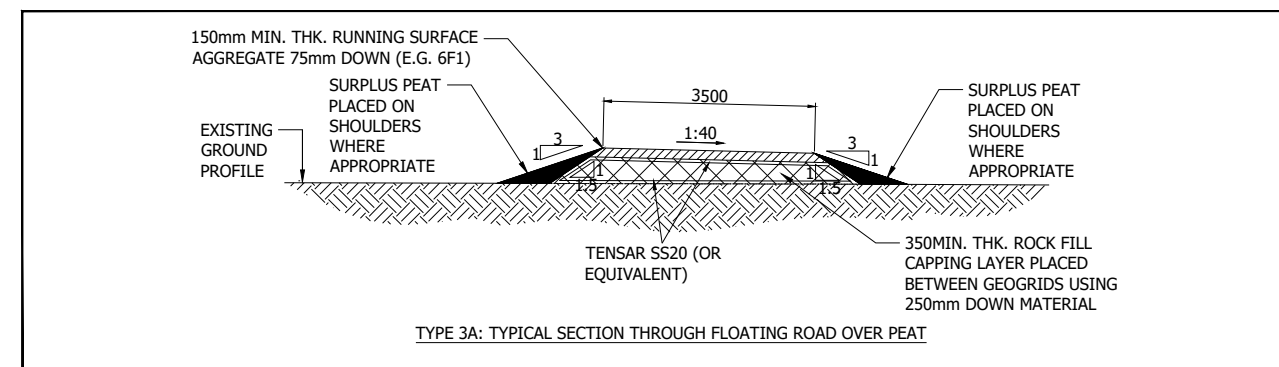
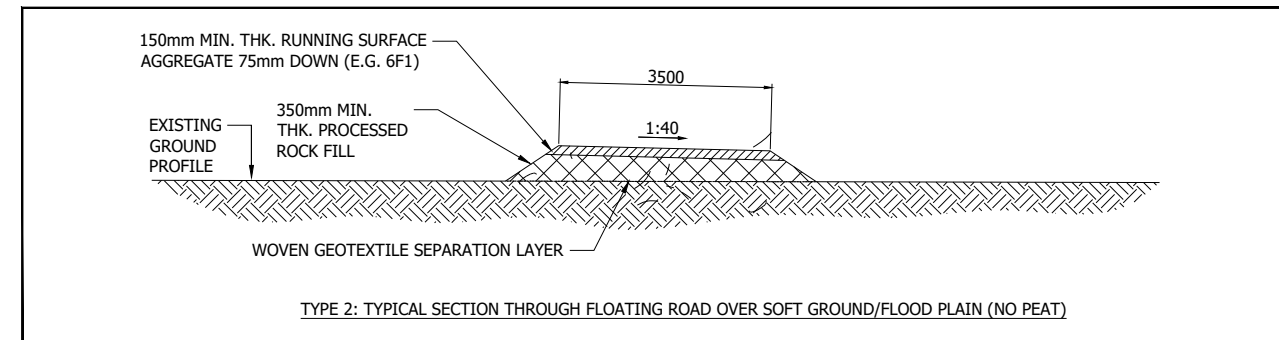
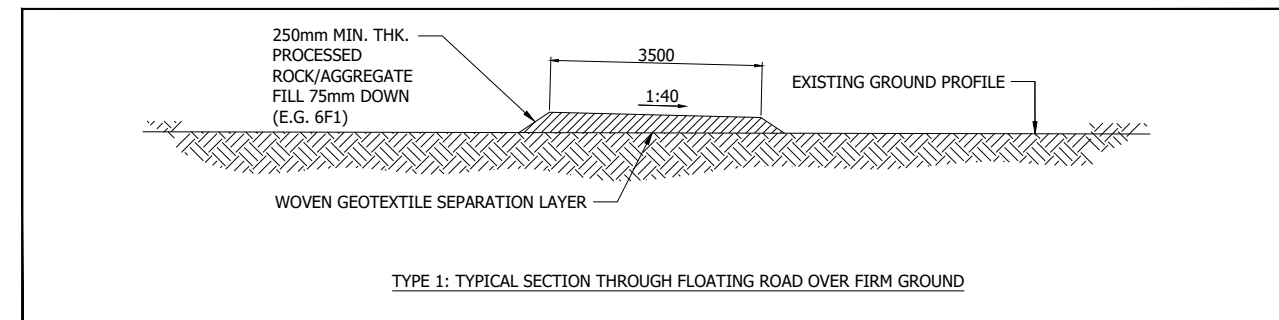
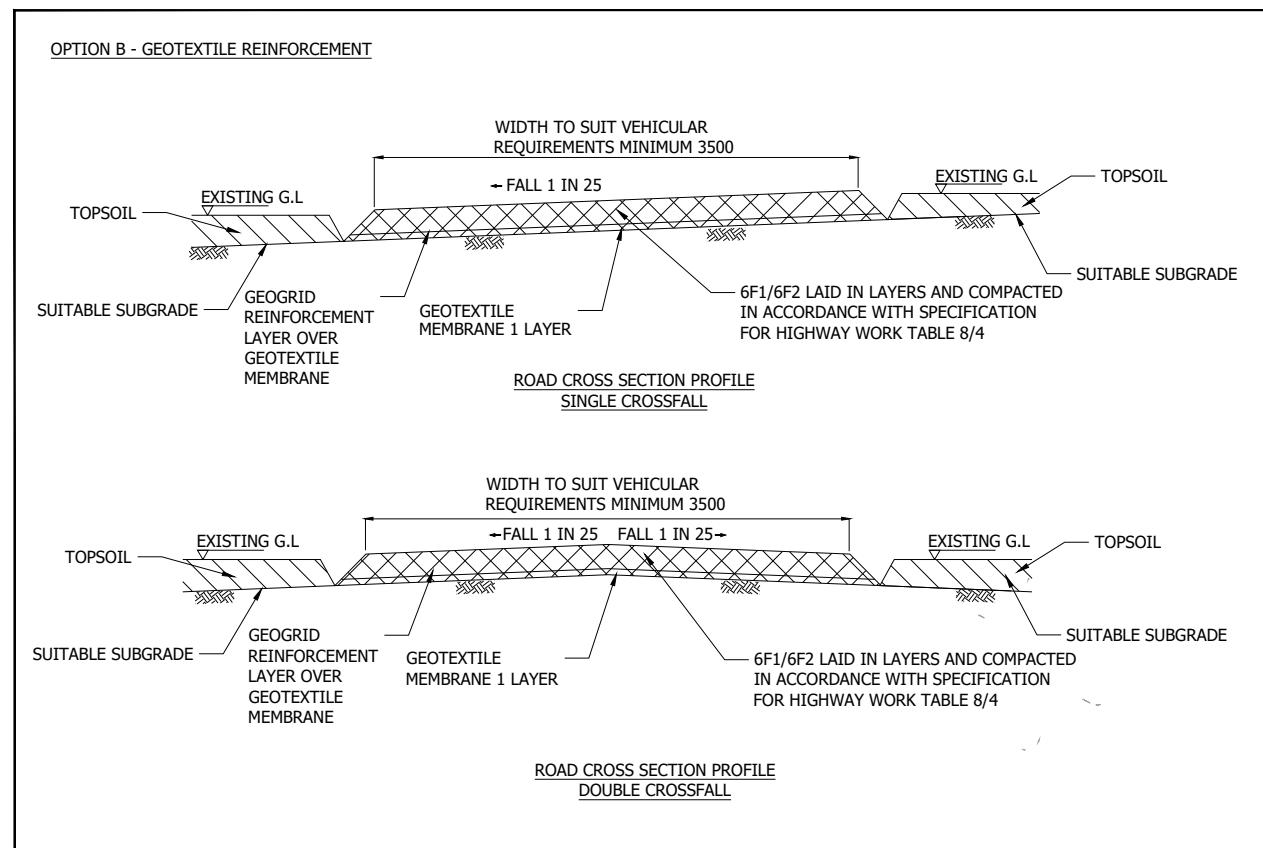
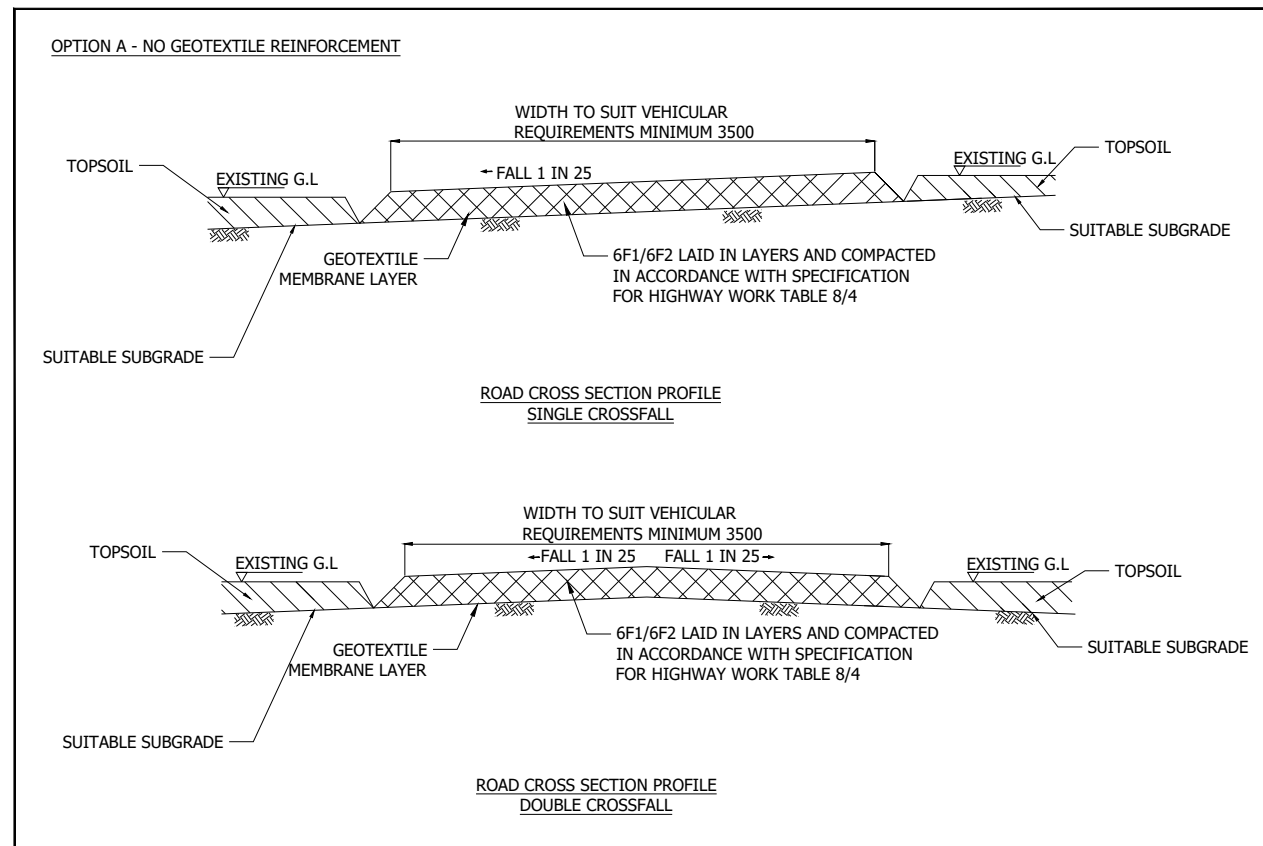


Plot Date : 06 September 2022 12:57:40  
File Name : Y:\CAD\4534 ARGYLL SUBSTATIONS\01-WORKING\01\_01-DRAWINGS\4534C-DR-P-0007-P2 - ACCESS TRACK SHEET 1



Project Title		Drawing Title	
CRRAE SUBSTATION		PLANNING FIGURE 004a TYPICAL ACCESS TRACK SECTIONS - SHEET 1	
Client		Purpose of issue	
Scottish & Southern Electricity Networks TRANSMISSION		PLANNING	

Designed	Drawn	Checked	Approved
-	RC	RC	DB
Arcus Internal Project No. 4534		Date 03/08/22	
Scale @ A3 NTS			

THIS DOCUMENT HAS BEEN PREPARED IN ACCORDANCE WITH THE SCOPE OF ARCUS' APPOINTMENT WITH ITS CLIENT AND IS SUBJECT TO THE TERMS OF THAT APPOINTMENT. ARCUS ACCEPTS NO LIABILITY FOR ANY USE OF THIS DOCUMENT OTHER THAN BY ITS CLIENT AND ONLY FOR THE PURPOSES FOR WHICH IT WAS PREPARED AND PROVIDED			
Drawing Number 4534c-DR-P-0007		Rev 2	

Arcus Consultancy Services	
7th Floor 144 West George Street Glasgow, G2 2HG Tel: +44 (0)141 221 9997 Fax: +44 (0)141 221 5610 <a href="http://www.arcusconsulting.co.uk">www.arcusconsulting.co.uk</a>	

