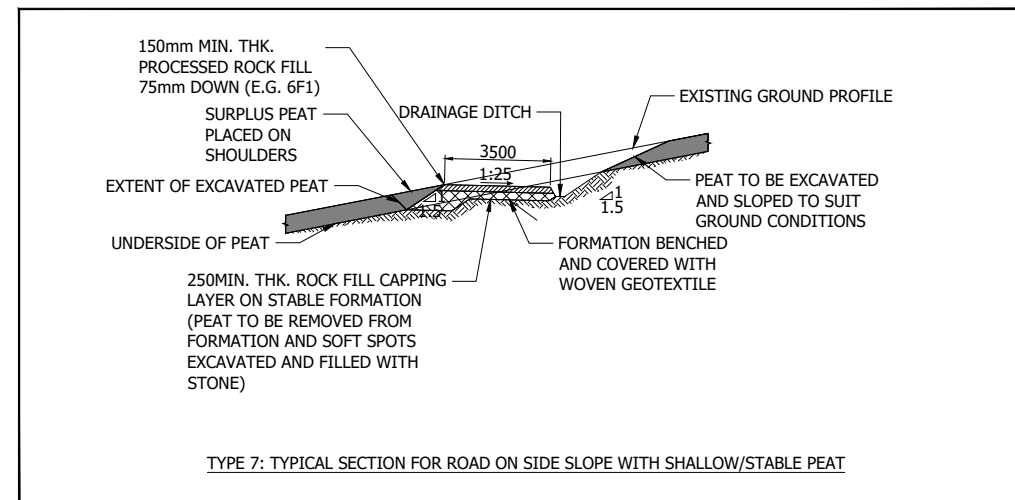
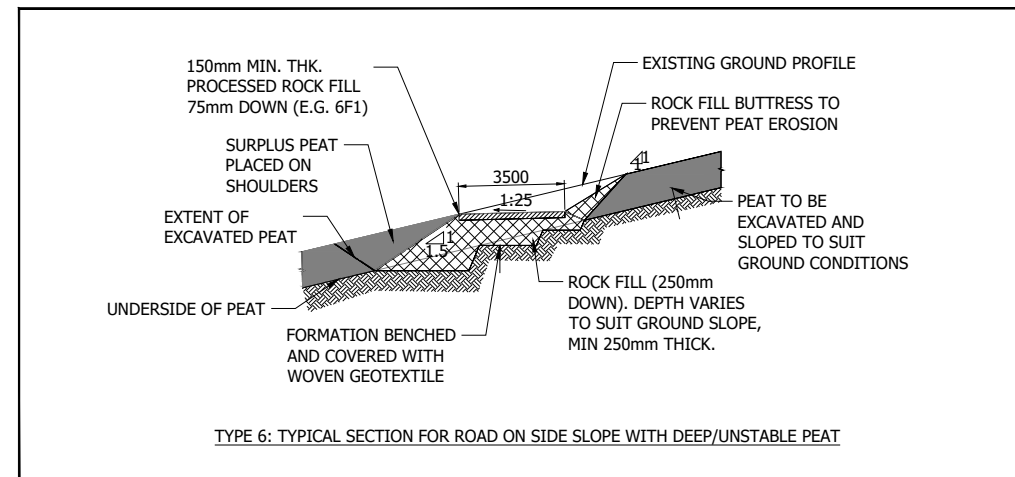
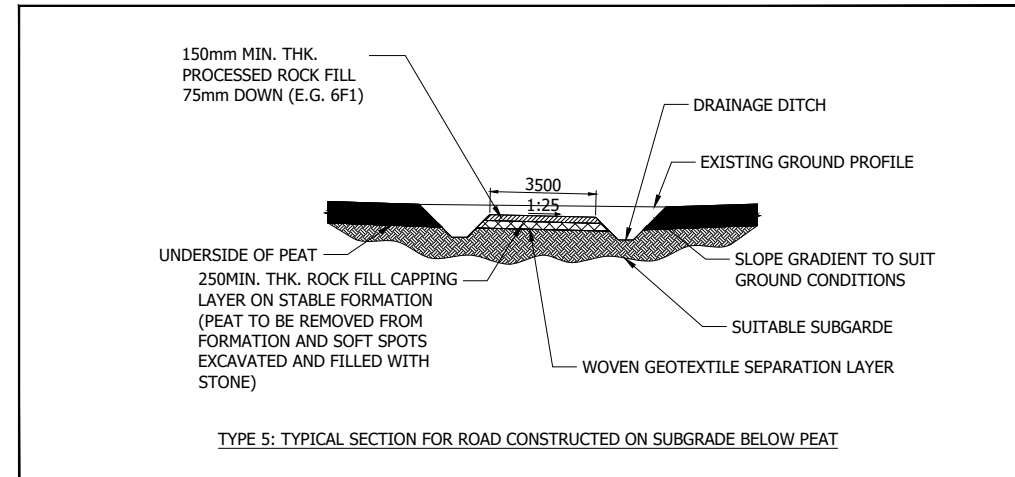
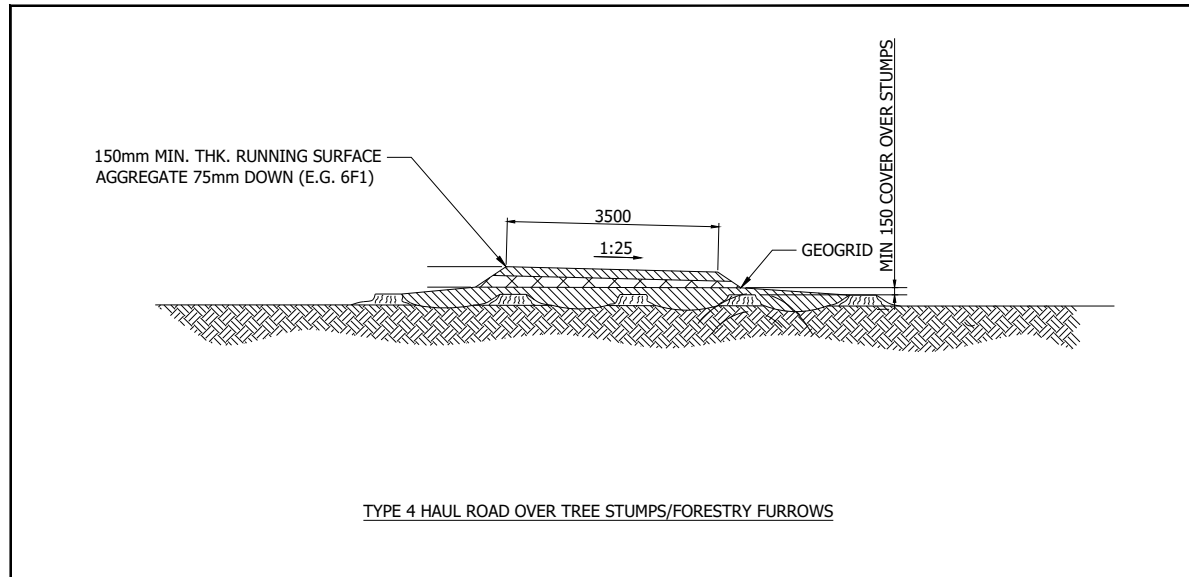


Plot Date : 06 September 2022 12:59:16
File Name : Y:\CAD\4534 ARGYLL SUBSTATIONS\01-WORKING\01_01-DRAWINGS\4534C_CRARAE\ENERGY CONSENTS UNIT APPLICATION\4534C-DR-P-0012-P2 - ACCESS TRACK SHEET 2



<p>Project Title</p> <p style="text-align: center;">CRARAE SUBSTATION</p>	<p>Drawing Title</p> <p style="text-align: center;">PLANNING FIGURE 004b TYPICAL ACCESS TRACK SECTIONS - SHEET 2</p>	<p>Purpose of issue</p> <p style="text-align: center;">PLANNING</p>	<p>THIS DOCUMENT HAS BEEN PREPARED IN ACCORDANCE WITH THE SCOPE OF ARCUS' APPOINTMENT WITH ITS CLIENT AND IS SUBJECT TO THE TERMS OF THAT APPOINTMENT. ARCUS ACCEPTS NO LIABILITY FOR ANY USE OF THIS DOCUMENT OTHER THAN BY ITS CLIENT AND ONLY FOR THE PURPOSES FOR WHICH IT WAS PREPARED AND PROVIDED</p>
<p>Client</p>	<p>Arcus Internal Project No.</p> <p>4534</p> <p>Scale @ A3</p> <p>NTS</p>	<p>Designed</p> <p>-</p> <p>Drawn</p> <p>RC</p> <p>Checked</p> <p>RC</p> <p>Approved</p> <p>DB</p> <p>Date</p> <p style="text-align: center;">03/08/22</p>	<p>Drawing Number</p> <p style="text-align: center;">4534c-DR-P-0012</p> <p>Rev</p> <p style="text-align: center;">2</p>
		<p>Arcus Consultancy Services</p> <p>7th Floor 144 West George Street Glasgow, G2 2HG Tel: +44 (0)141 221 9997 Fax: +44 (0)141 221 5610 www.arcusconsulting.co.uk</p>	