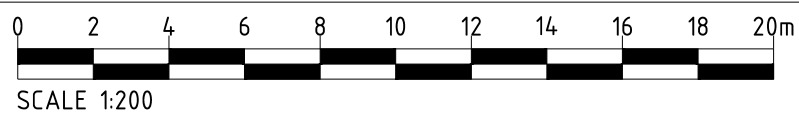
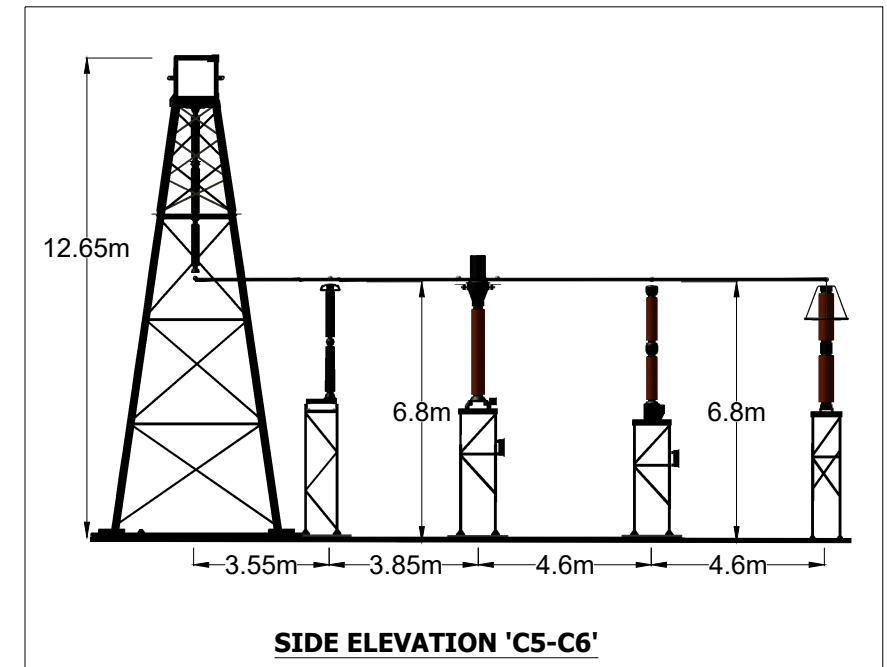
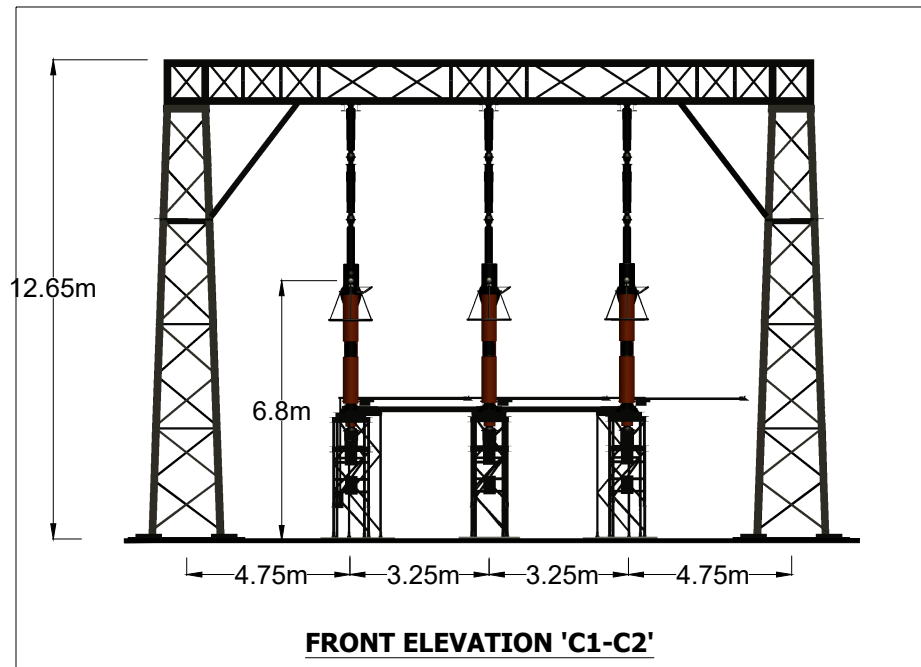
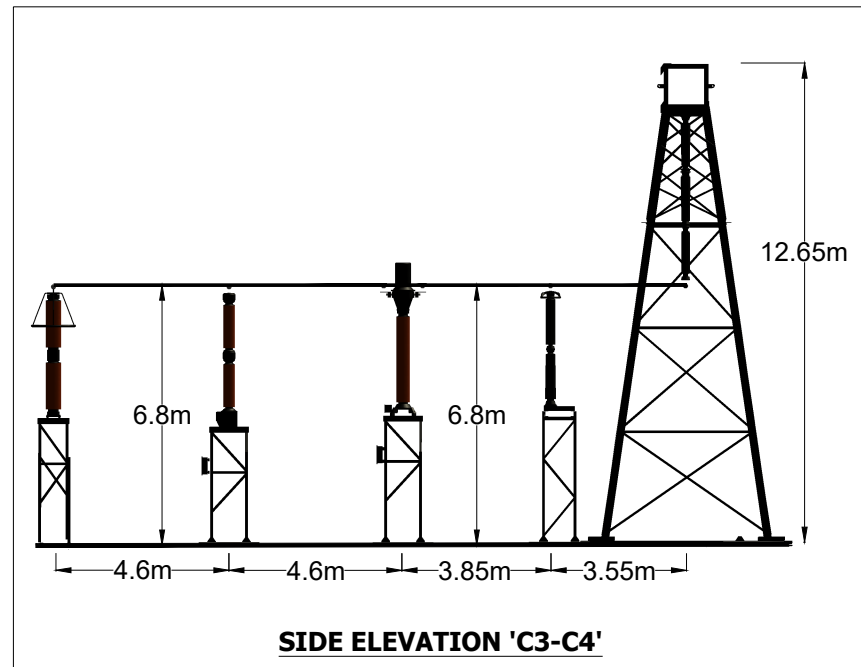
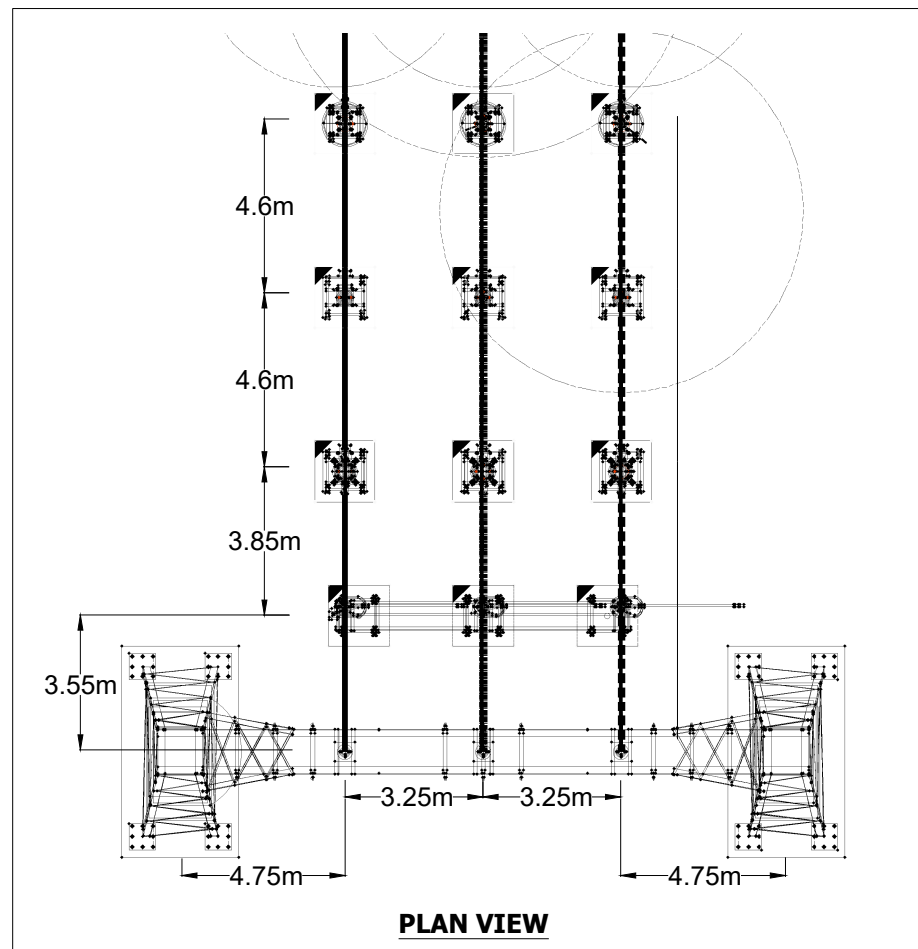


Plot Date : 25 October 2022 15:28:48
 File Name : \\UKSPRDG\GIS\501\DATA\ARCUS\GIS-CAD\4534 ARGYLL SUBSTATIONS\01-WORKING\01_01-DRAWINGS\4534C-CRARAETOWN & COUNTRY PLANNING APPLICATION\4534C-DR-P-0011 P2 - ELECTRICAL LAYOUT ELEVATIONS 01



Note: See drawing 4534c-DR-P-0004 (Substation Compound Layout) for elevation locations.

Project Title CRARAE SUBSTATION		Drawing Title PLANNING FIGURE 006 ELECTRICAL LAYOUT ELEVATIONS		Purpose of issue PLANNING		THIS DOCUMENT HAS BEEN PREPARED IN ACCORDANCE WITH THE SCOPE OF ARCUS' APPOINTMENT WITH ITS CLIENT AND IS SUBJECT TO THE TERMS OF THAT APPOINTMENT. ARCUS ACCEPTS NO LIABILITY FOR ANY USE OF THIS DOCUMENT OTHER THAN BY ITS CLIENT AND ONLY FOR THE PURPOSES FOR WHICH IT WAS PREPARED AND PROVIDED		Arcus Consultancy Services 7th Floor 144 West George Street Glasgow, G2 2HG Tel: +44 (0)141 221 9997 Fax: +44 (0)141 221 5610 www.arcusconsulting.co.uk			
Client 				Designed -	Drawn RC	Checked RC	Approved DB	<table border="1"> <tr> <td>Drawing Number 4534c-DR-P-0011</td> <td>Rev 1</td> </tr> </table>		Drawing Number 4534c-DR-P-0011	Rev 1
Drawing Number 4534c-DR-P-0011	Rev 1										
				Arcus Internal Project No. 4534		Date 25/10/22					
				Scale @ A3 1:200							

