

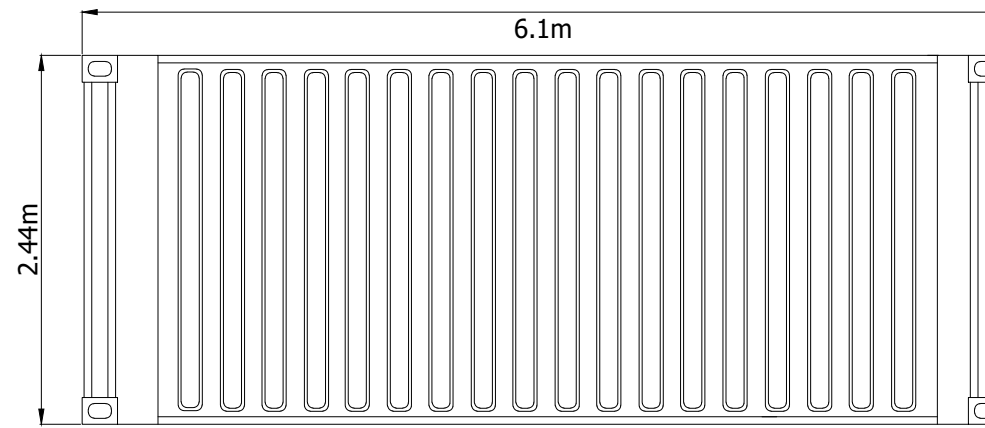
Plot Date : 20 February 2023 13:39:48
File Name : Y:\CAD\4534 ARGYLL SUBSTATIONS\01-WORKING\01_01-DRAWINGS\4534D_CROSSAIG TOWN & COUNTRY PLANNING APPLICATION\4534D-DR-P-0009 P2 - GENERATOR BUILDING ELEVATIONS

NOTE:

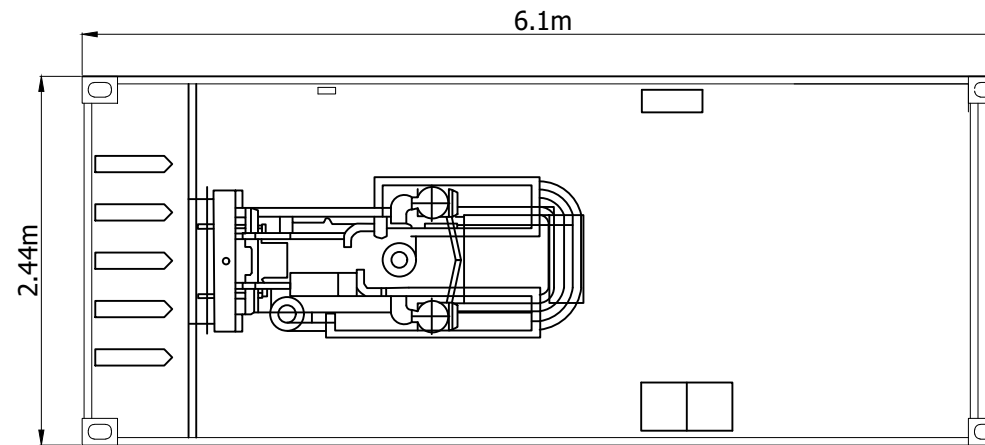
- STEEL PORTAL FRAMES WITH METAL CLADDING AND ROOF.
- GENERATOR BUILDING WOULD BE PAINTED WITH A RECESSIVE COLOUR MID-BROWN, SUCH AS RAL 8008: OLIVE BROWN OR SIMILAR APPROVED (EXAMPLE BELOW).



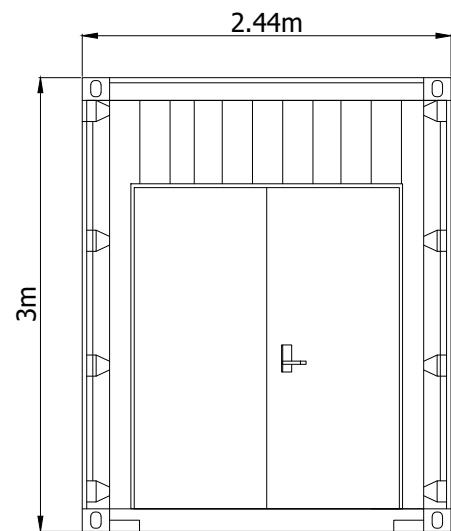
RAL 8008: OLIVE BROWN



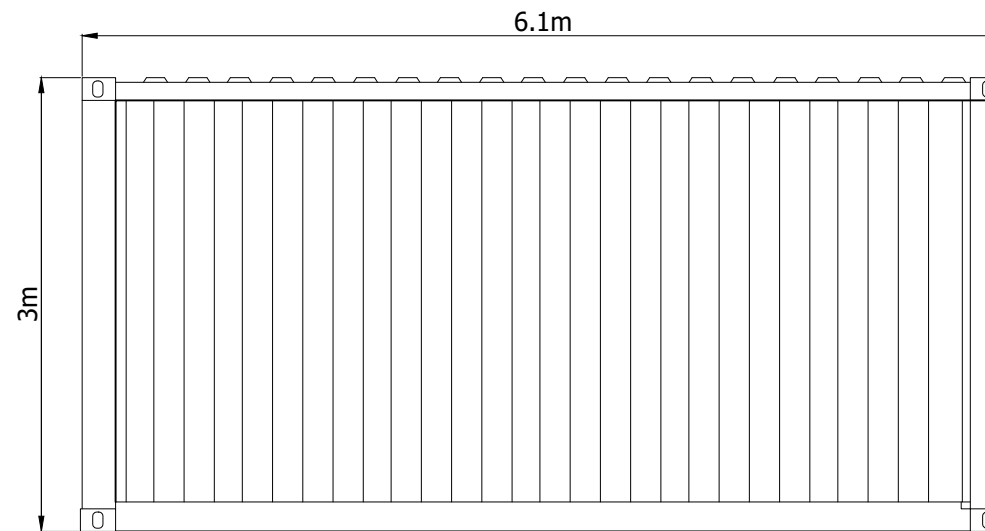
ROOF PLAN



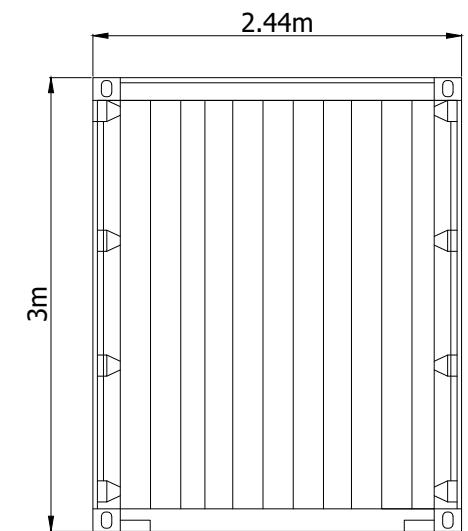
FLOOR PLAN



WEST ELEVATION



NORTH & SOUTH ELEVATION



EAST ELEVATION



SCALE 1:50

Project Title CROSSAIG NORTH SUBSTATION		Drawing Title PLANNING FIGURE 005 GENERATOR BUILDING ELEVATIONS				Purpose of issue PLANNING				THIS DOCUMENT HAS BEEN PREPARED IN ACCORDANCE WITH THE SCOPE OF ARCUS' APPOINTMENT WITH ITS CLIENT AND IS SUBJECT TO THE TERMS OF THAT APPOINTMENT. ARCUS ACCEPTS NO LIABILITY FOR ANY USE OF THIS DOCUMENT OTHER THAN BY ITS CLIENT AND ONLY FOR THE PURPOSES FOR WHICH IT WAS PREPARED AND PROVIDED		Arcus Consultancy Services 7th Floor 144 West George Street Glasgow, G2 2HG Tel: +44 (0)141 221 9997 Fax: +44 (0)141 221 5610 www.arcusconsulting.co.uk	
Client 		Designed - Drawn SR Arcus Internal Project No. 4534 Scale @ A3 1:50		Checked RC Approved KG Date 01.02.23		Drawing Number 4534d-DR-P-0009		Rev 2					

